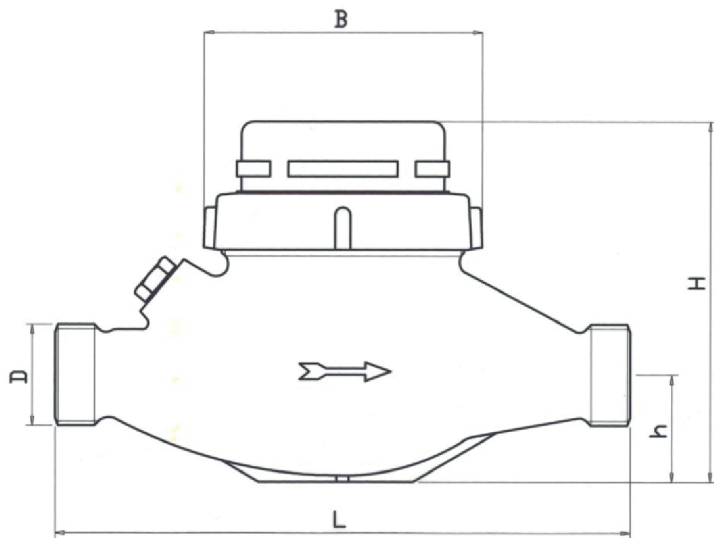
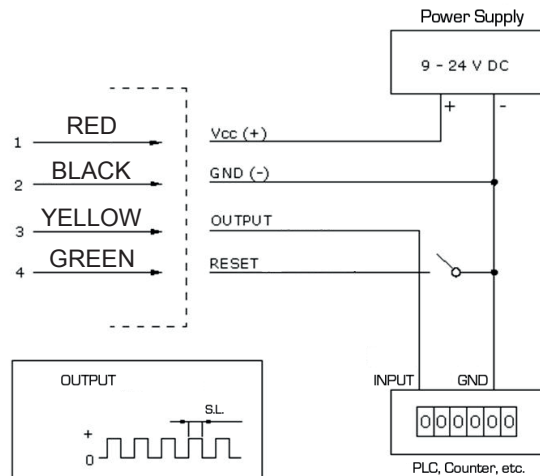


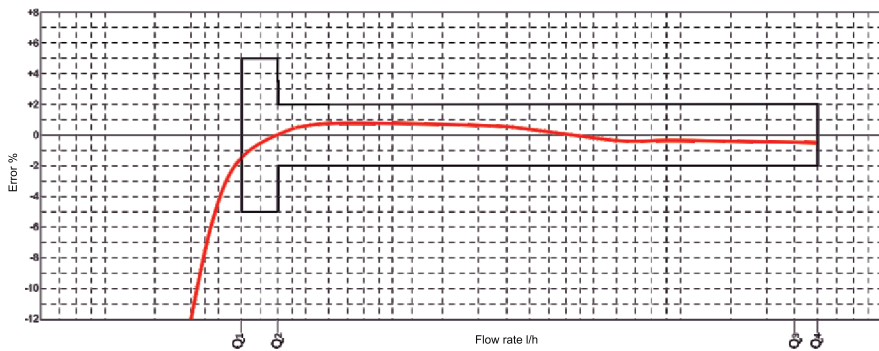
Dimensions



Connection diagram



Error Curve



Pressure Loss

