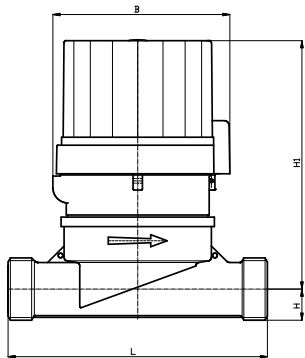
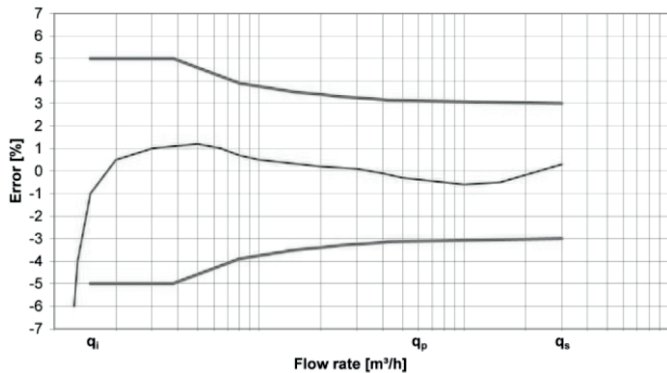


Dimensions



Error Curve



Pressure Loss

